

Driver	Kart	Track	Best Lap
Date	Time/Heat	Laps	<input type="radio"/> Practice <input type="radio"/> Qualifying <input type="radio"/> Race
Weather	Air Temp	Track Temp	Tires

Chassis

Front Torsion Tight Loose Off

Rear Torsion Tight Loose Off

Nerf Bars Tight Loose Off

Side-pods Tight Loose Off

Fr. Bumper Wedge G-Man Off

Seat Stays 2 3 4

Seat Pos. (dist. to axle)

Seat Angle (dist. to axle)

Axle Diameter 30mm 40mm 50mm

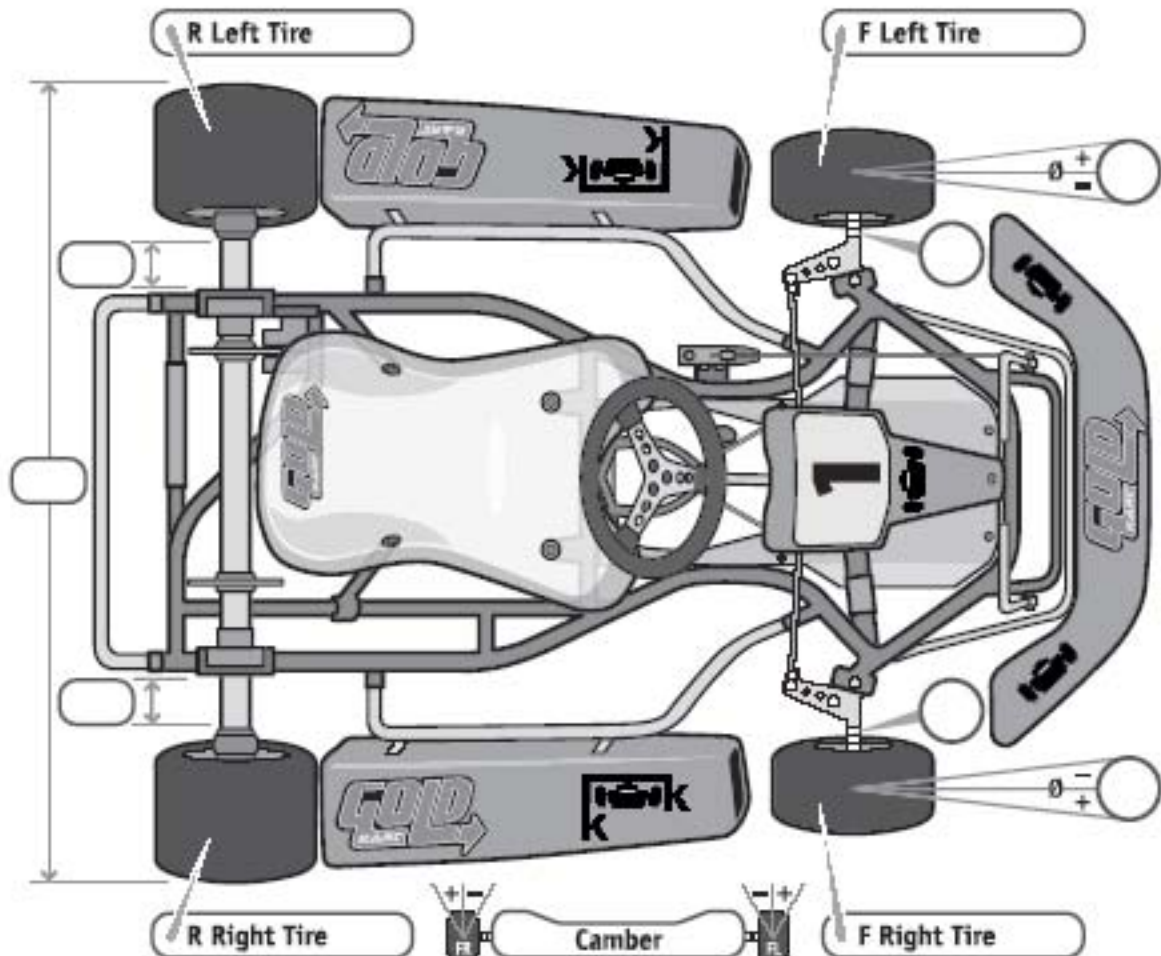
of Rear Bearings 2 3

Rear Axle Position High Low

Front Spindle Pos. High Low

Brake Pads

Brake Rotor



Gear Ratio

Clutch

Springs

Weights

Motor

Main Jet

Idle Jet

Restrictor Plate

Oil

Fuel

FL wt.

FR wt.

RL wt.

RR wt.

Chassis Weight

Chassis & Driver

Balance: F-R% L-R%

LAP 1 _____

LAP 2 _____

LAP 3 _____

LAP 4 _____

LAP 5 _____

LAP 6 _____

LAP 7 _____

LAP 8 _____

LAP 9 _____

LAP 10 _____

LAP 11 _____

LAP 12 _____

Notes _____
